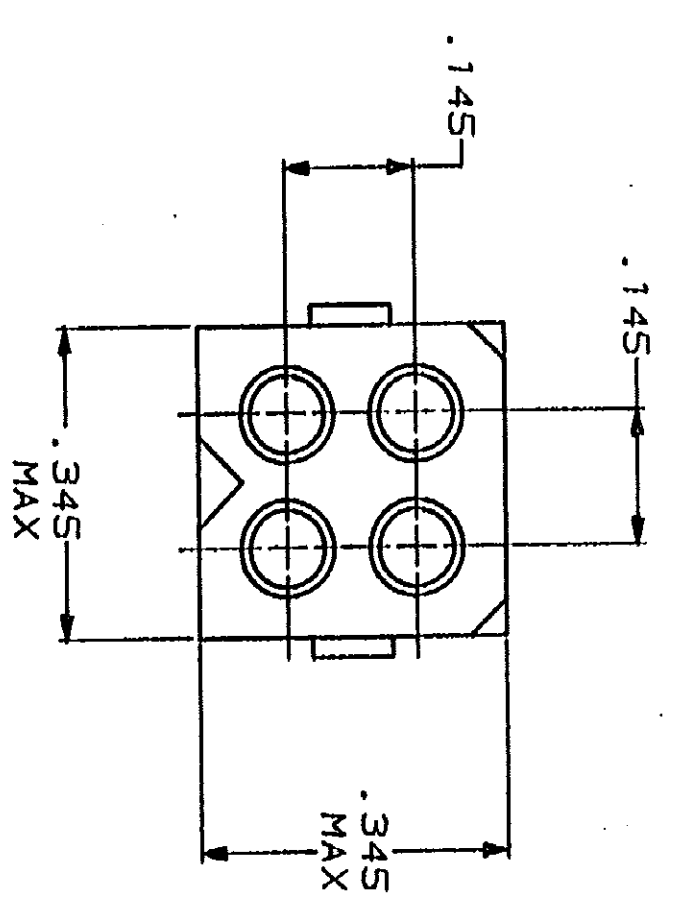
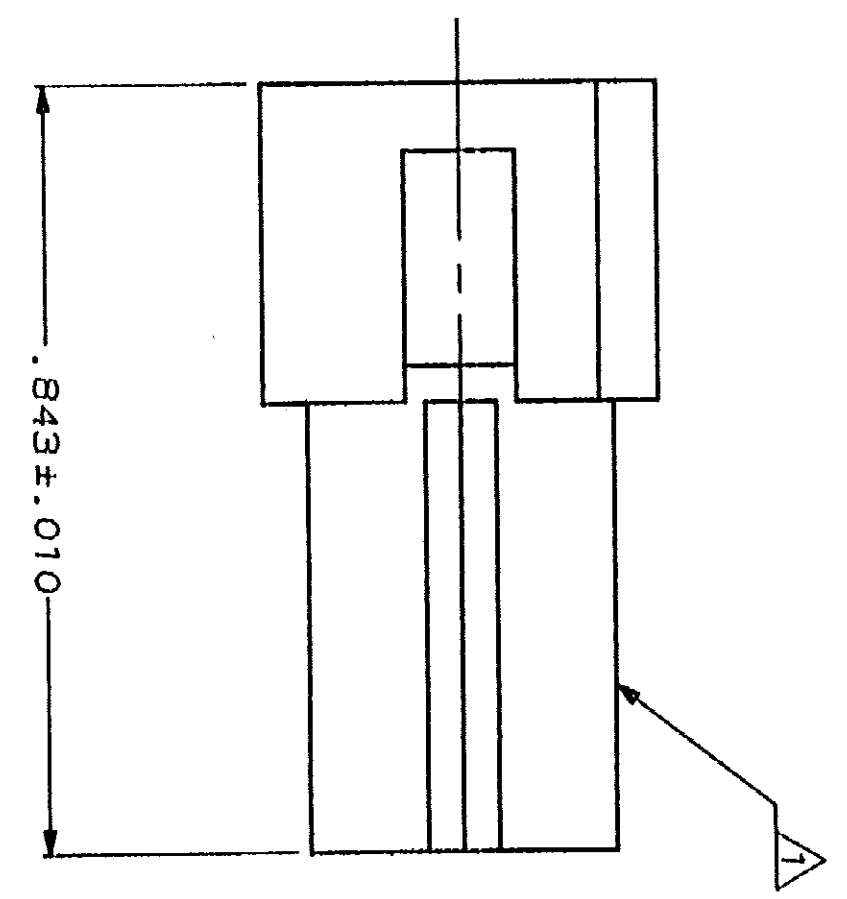
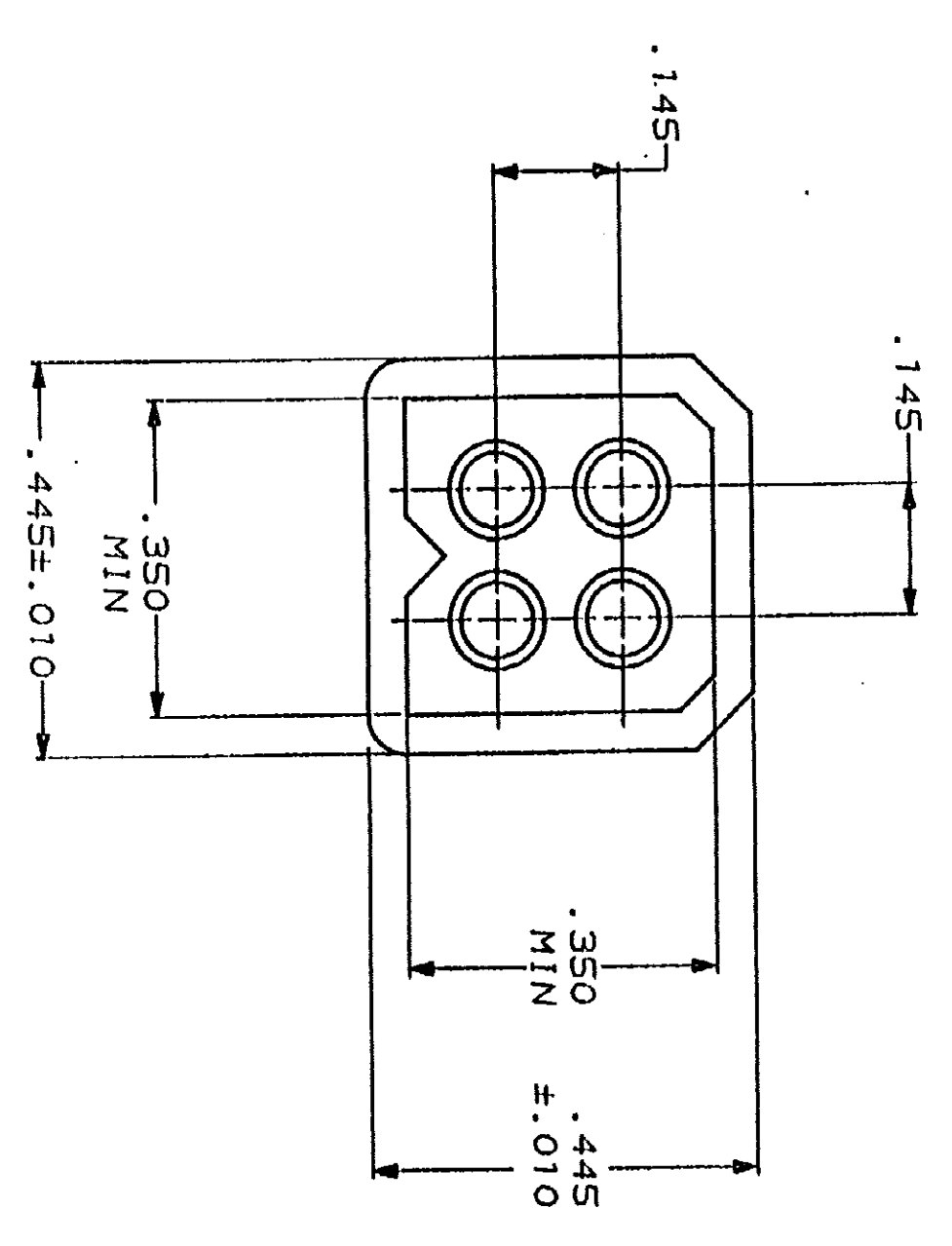
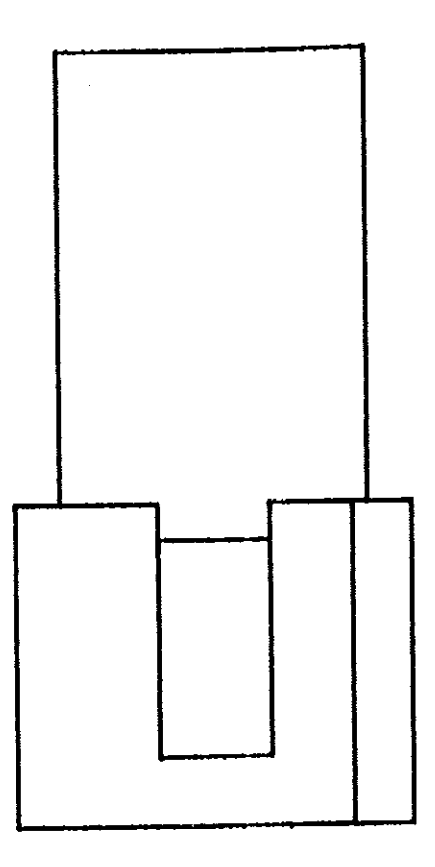
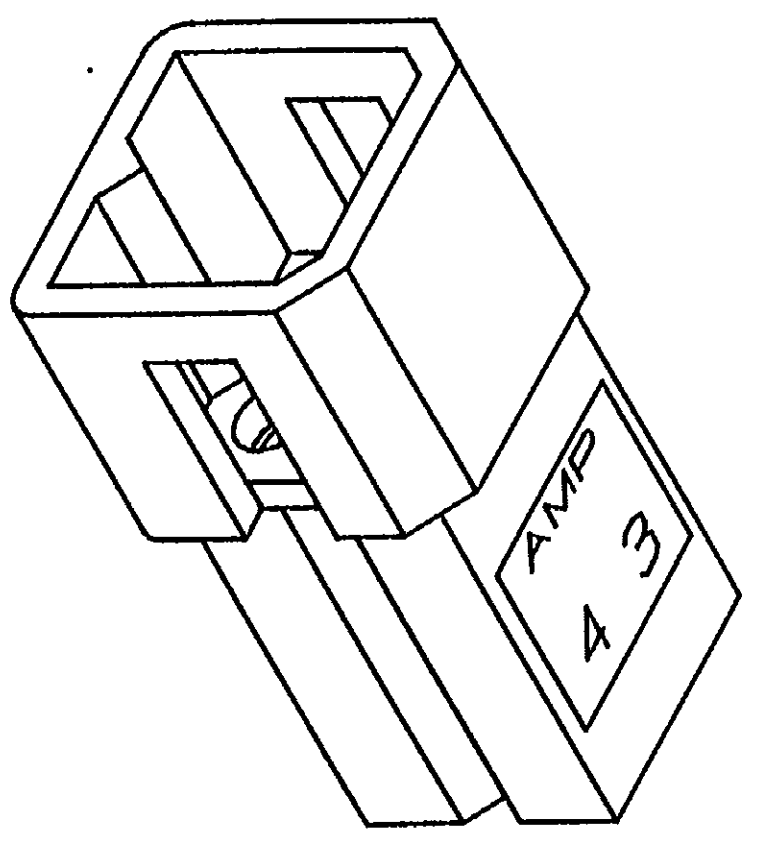


8
 DRAWING MADE IN THIRD ANGLE PROJECTION
 THIS DRAWING IS UNPUBLISHED.
 BY AMP INCORPORATED, ALL INTERNATIONAL RIGHTS RESERVED.
 © COPYRIGHT 1979

REV	DATE	BY	DESCRIPTION
1	8-11-82	SS	ADDED METRIC CONVERSION



MATING CONNECTOR INTERFACE



3-DIMENSIONAL MODEL NTS

CONVERSION TABLE			
IN	MM	IN	MM
.145	3.68	.843	21.41
.062	1.57	.445	11.30
.010	0.25	.350	8.89
.005	0.13	.345	8.76

METRIC

DO NOT SCALE PRINT. UNLESS SPECIFIED DIMENSIONS IN INCHES TOLERANCES ON: 3 PLG DEC # .005 ANGLES # .005 MATERIAL NYLON UL94V-2, NATURAL FINISH		DR. K. WHITAKER 8-13-82 CHK. R. SWINE 8-20-82 APP'D R. CARSON 10-2-82 PRODUCT SPEC	NAME AMP AMP INCORPORATED 4 CIRCUIT, PLUG, .062 PIN AND SOCKET DRAWING NO. 770433
APPLICATION SPEC WEIGHT	SIZE D 00779 SCALE 5:1	PART NO. 770433-1	SHEET 1 OF 1

CUSTOMER DRAWING

△ AMP LOGO LOCATED ON THIS SURFACE.